



Model: See affected units	Mar. 8, 2024
Serial #: N/A	
Product Bulletin # TDS-250 Rev 1	

LWCV Actuator Stop Plate Safety Securement

Issue

We have become aware of a potential dropped object incident regarding a lower well control valve (LWCV) actuator stop plate which detached from the LWCV actuator bearing housing.

Affected Units

All Canrig C-Model Top Drives.

Recommended Actions

- Visually inspect the LWCV actuator in accordance with product bulletin [TDS-193 "Lower Well Control Valve Inspection"](#) to ensure all components including the stop plates are not damaged, loose, or broken and that the components have retention to prevent dropped objects.
- Add safety securement to the LWCV actuator stop plates.

Stop Plate Safety Securement Instructions

Follow steps below to install safety securement to the LWCV stop plates.

SAFETY INSTRUCTIONS

Apply lock-out/tag out procedures before installing safety securement.

1. Remove the LWCV actuator guard from the LWCV actuator.
2. Remove the stop plates from the bearing housing.

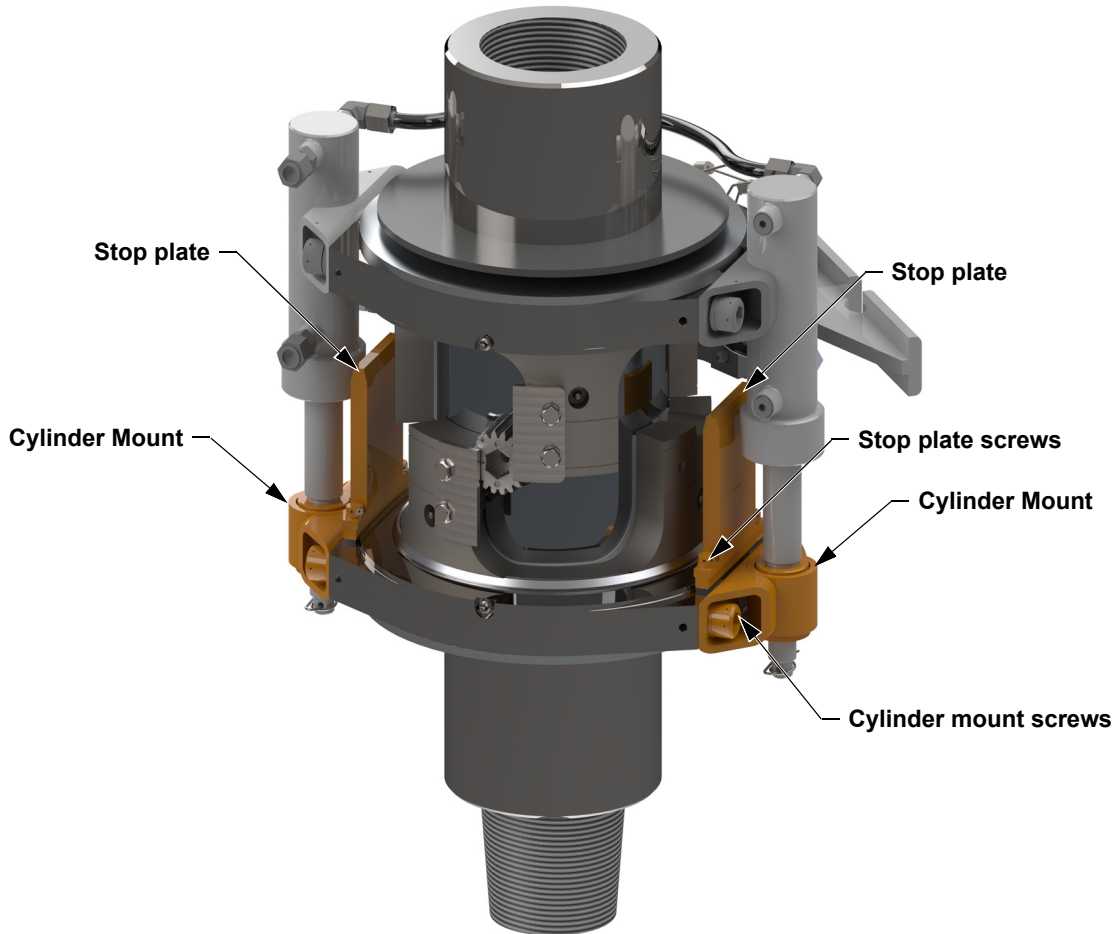


Figure 1: LWCV stop plates without safety securement

- Drill two (2) holes through both stop plates as shown in Figure 2 detail drawing.

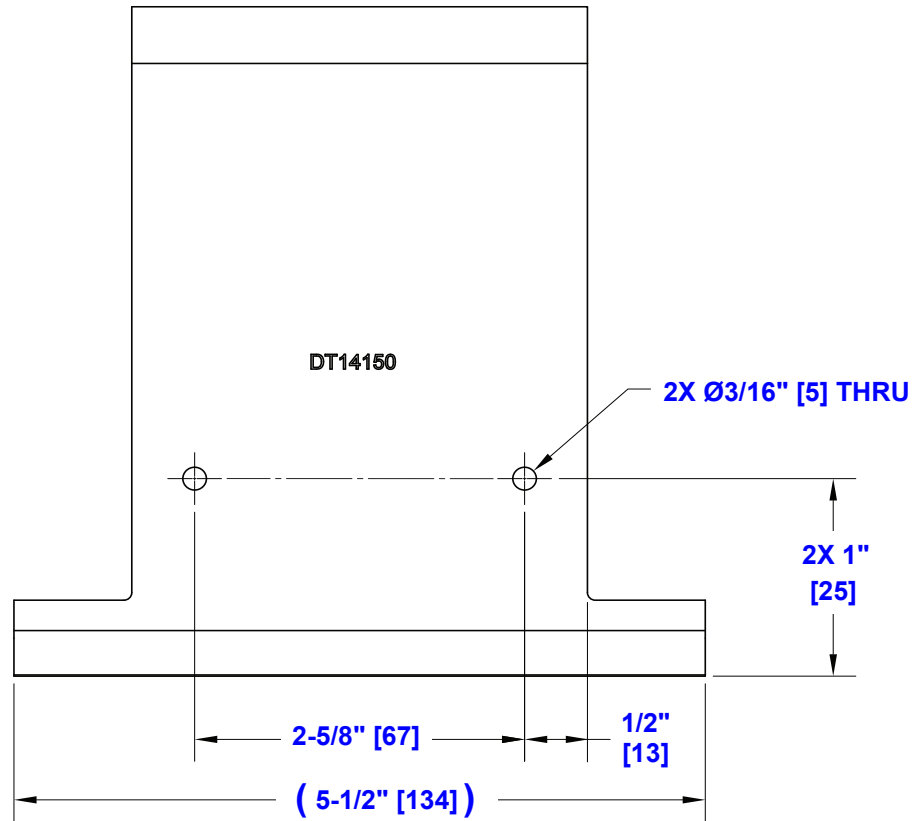


Figure 2: Holes on stop plates

- Drill four (4) additional holes through both cylinder mounts as shown in Figure 3 detail drawing. Chamfer any sharp edges of these holes so the safety wire doesn't get cut.

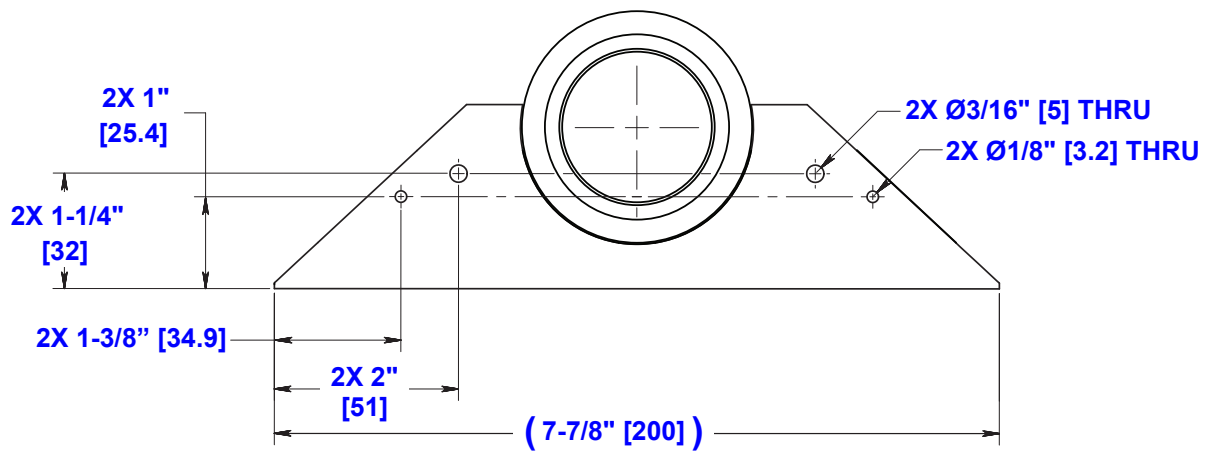


Figure 3: Holes on cylinder mounts

5. Re-install both stop plates (P/N: DT14150) to the bearing housing with fasteners (Qty = 2) (P/N: HH-0375NC-0125-GR8-W). Add shims as required using DT14159-X to ensure a stop when valve is fully opened. Torque fasteners as per specification ENG 725 and install safety wire as per specification ENG 701.
6. Route 1/8" safety wire (M10022) through the stop plates and cylinder mount and crimp with ferrules (M19-3009-010) as shown in Figure 4.

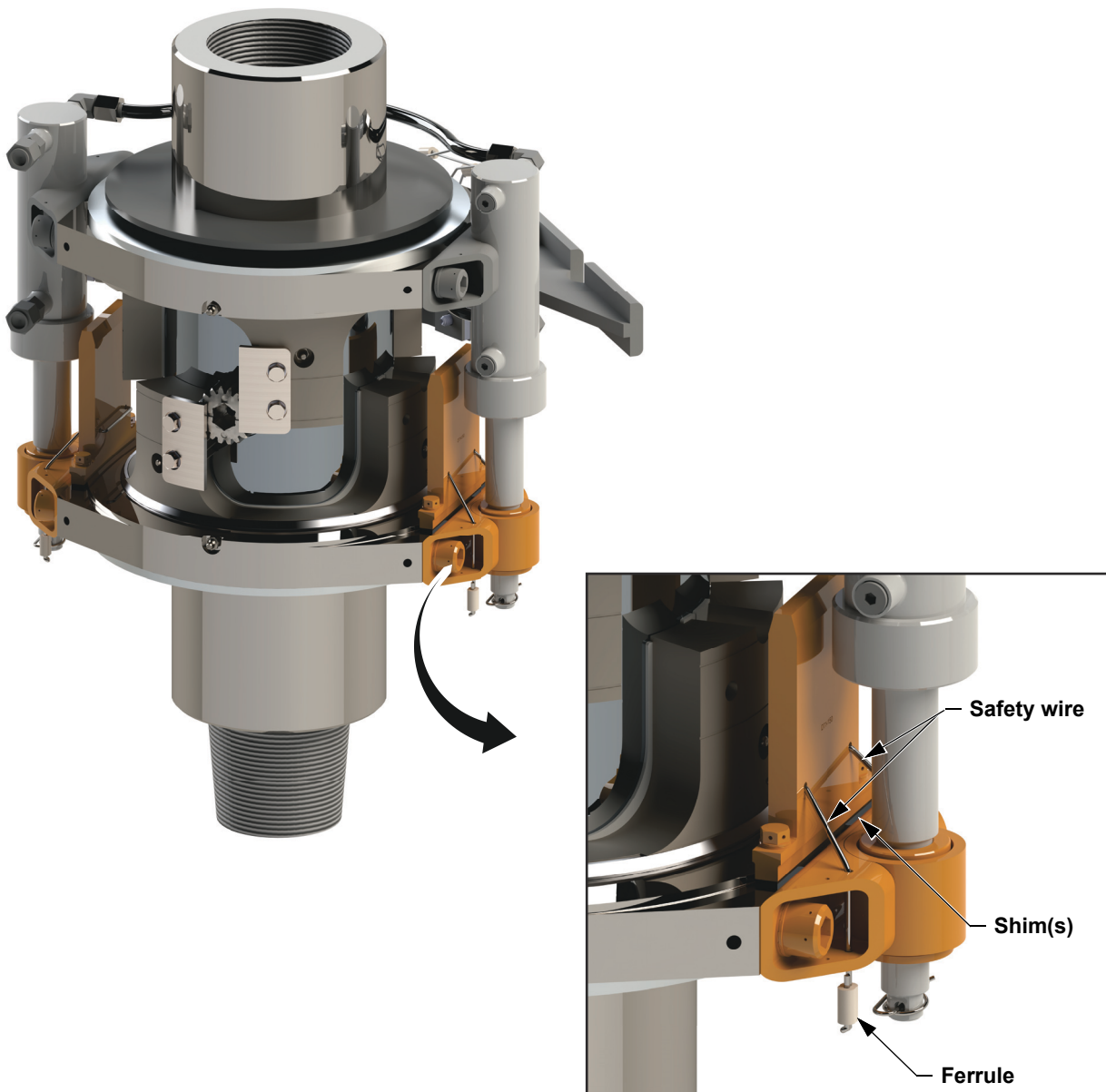


Figure 4: Safety wire routing

7. Re-assemble LWCV actuator guard on the LWCV actuator.

NOTICE

Guard is shown in transparency for clarity.

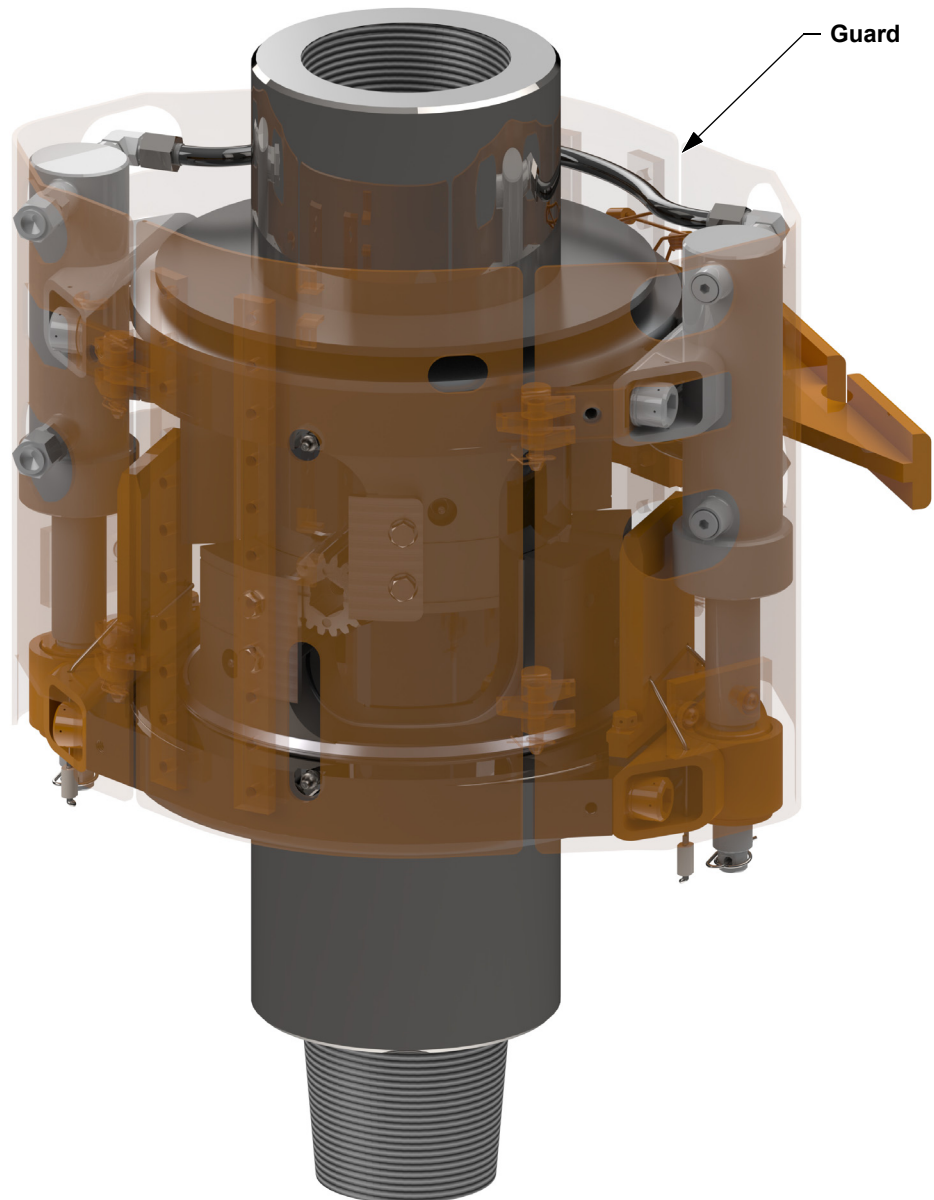


Figure 5: LWCV actuator plates with safety securement installed



Model: See affected units Serial #: N/A	Mar. 8, 2024
--	--------------

This page is intentionally left blank.